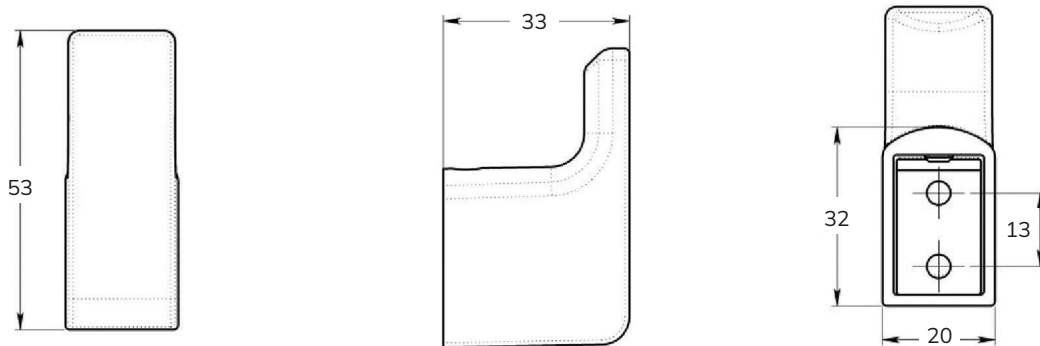


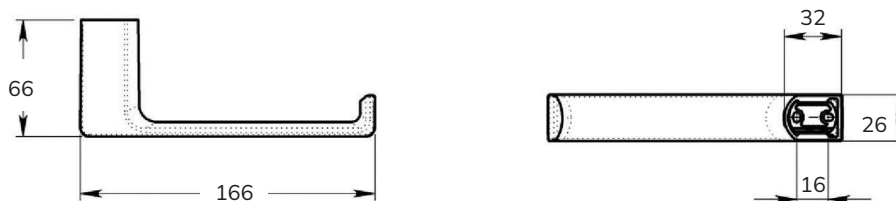
## GENESIS Robe Hook

CODE	UA0032
MATERIAL	Cromall®
DIMENSIONS	See technical drawing
FIXINGS	Screw to wall fixings supplied



## GENESIS Toilet Roll Holder

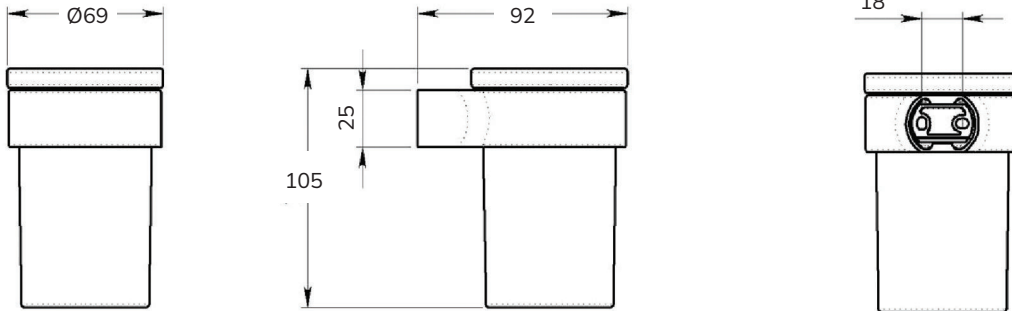
CODE	UA0031
MATERIAL	Wall plate in galvanised steel. Support in Cromall® Chromed AISI 201 stainless steel tube Chromed ABS roll stopper
DIMENSIONS	See technical drawing
FIXINGS	Screw to wall fixings supplied



## GENESIS Toothbrush Holder

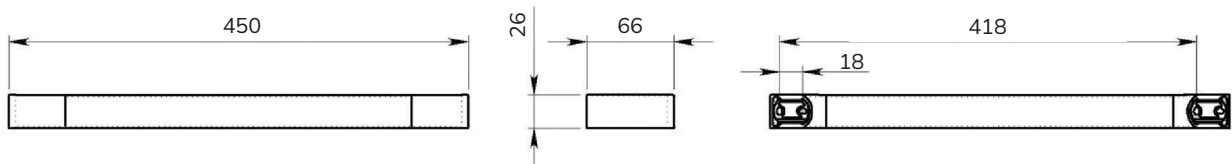
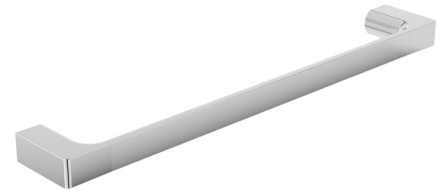


<b>CODE</b>	UA0035
<b>MATERIAL</b>	Wall plate, cover plate, support and ring in Cromall® Glass in frosted glass Translucent thermoplastic resins gasket
<b>DIMENSIONS</b>	See technical drawing
<b>FIXINGS</b>	Screw to wall fixings supplied



## GENESIS Towel Rail

<b>CODE</b>	UA0034
<b>MATERIAL</b>	Chromed AISI 201 stainless steel rod Wall plates, cover plates and supports in Cromall®
<b>DIMENSIONS</b>	See technical drawing
<b>FIXINGS</b>	Screw to wall fixings supplied



## GENESIS Towel Ring

<b>CODE</b>	UA0033
<b>MATERIAL</b>	Wall plate in galvanised Cromall® Cover and support in chromed Cromall® Chrome-plated AISI 201 stainless steel tube
<b>DIMENSIONS</b>	See technical drawing
<b>FIXINGS</b>	Screw to wall fixings supplied

