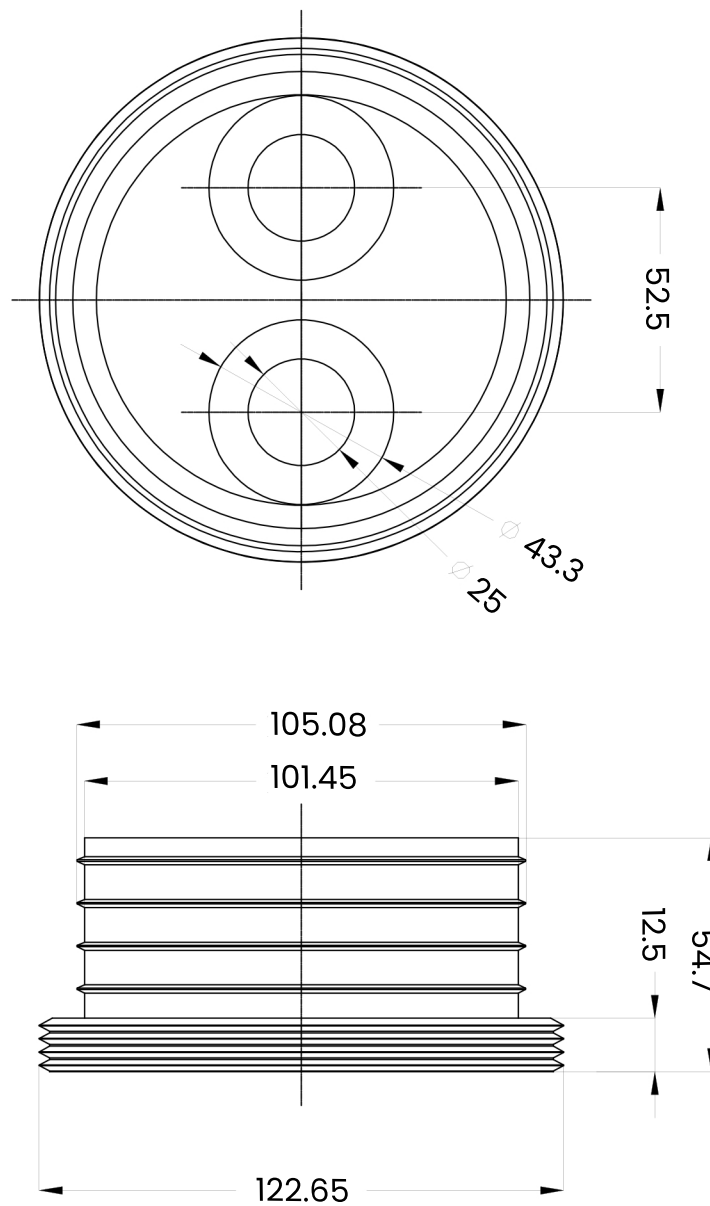


CODE: **CP123**  
**Double Floorboss**



## Dimensions



*All drawings contain the necessary measurements which are subject to standard tolerances. Exact measurements, in particular for customised installation scenarios, can only be taken from the finished ceramic piece.*