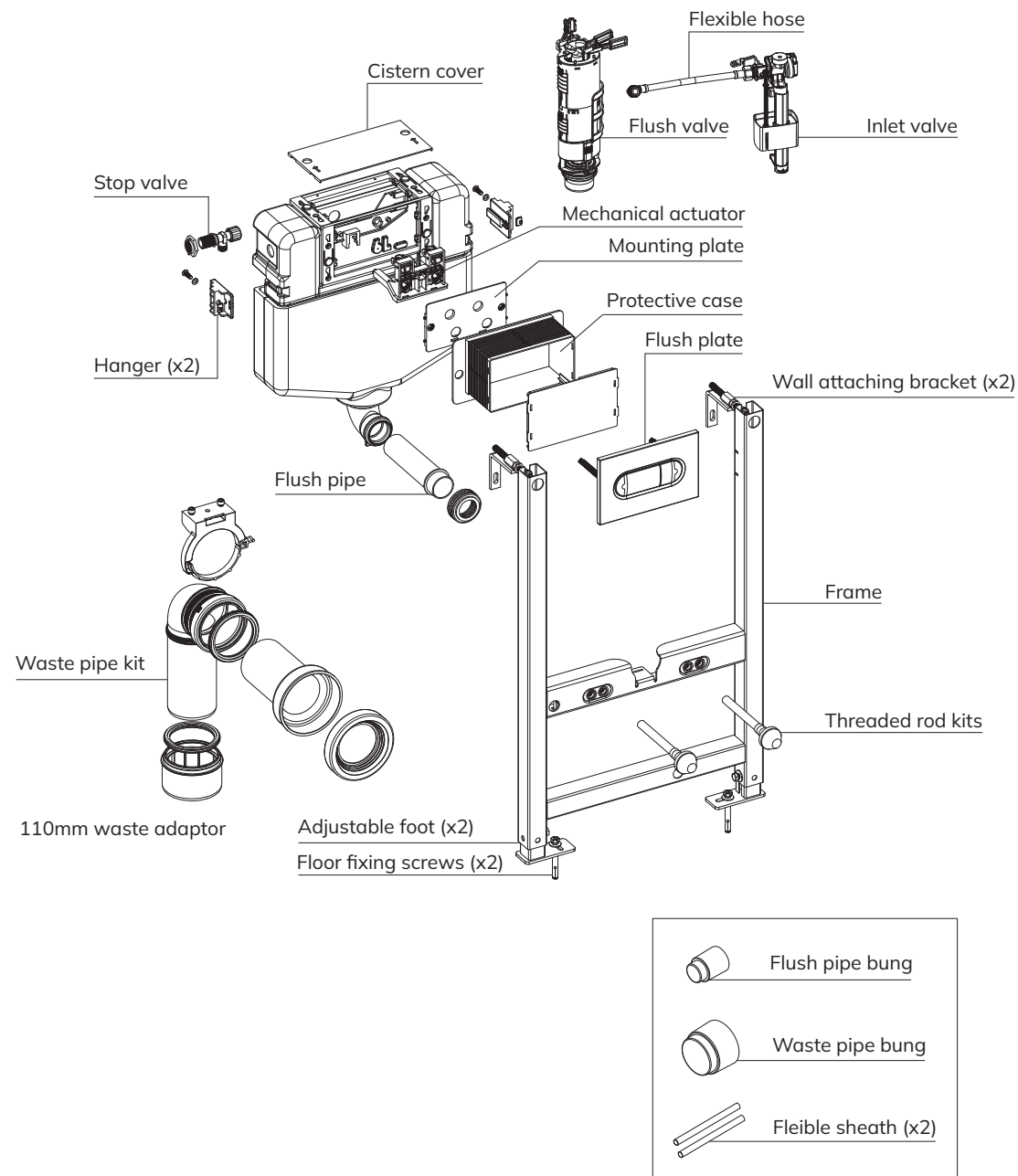
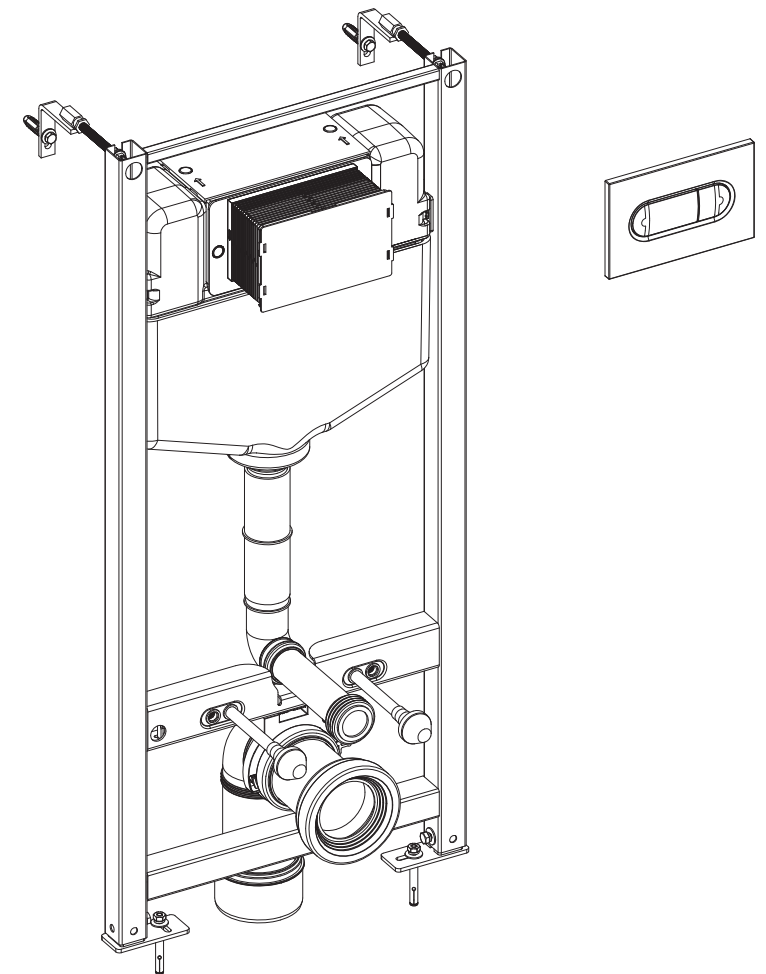


Spare Parts

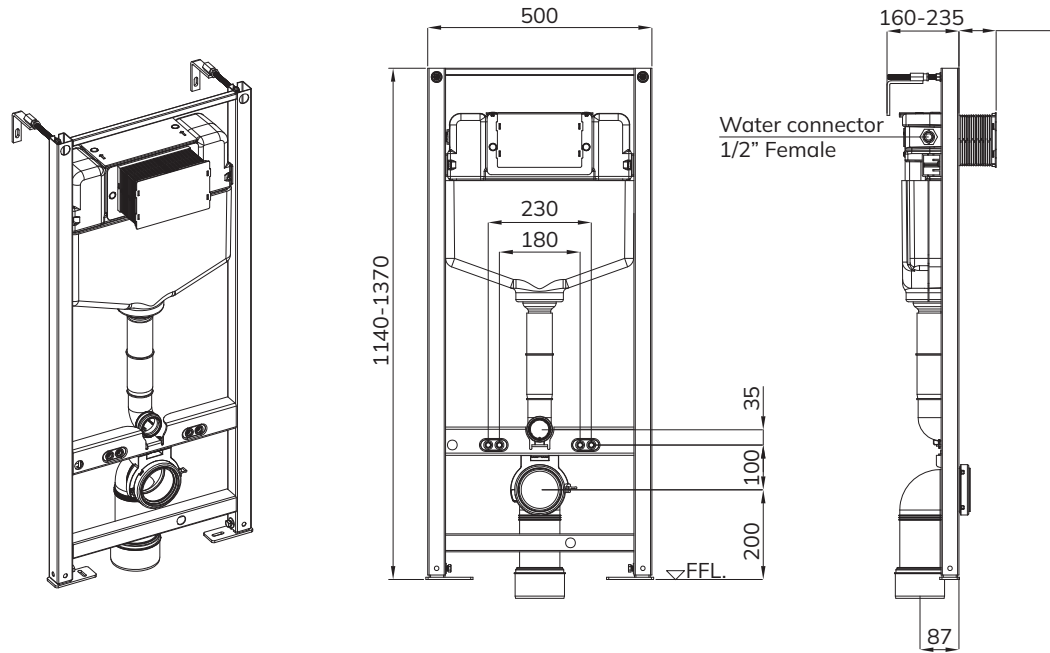


## SONAS 1160MM UNIVERSAL FRAME AND CISTERN FOR WALL HUNG WC

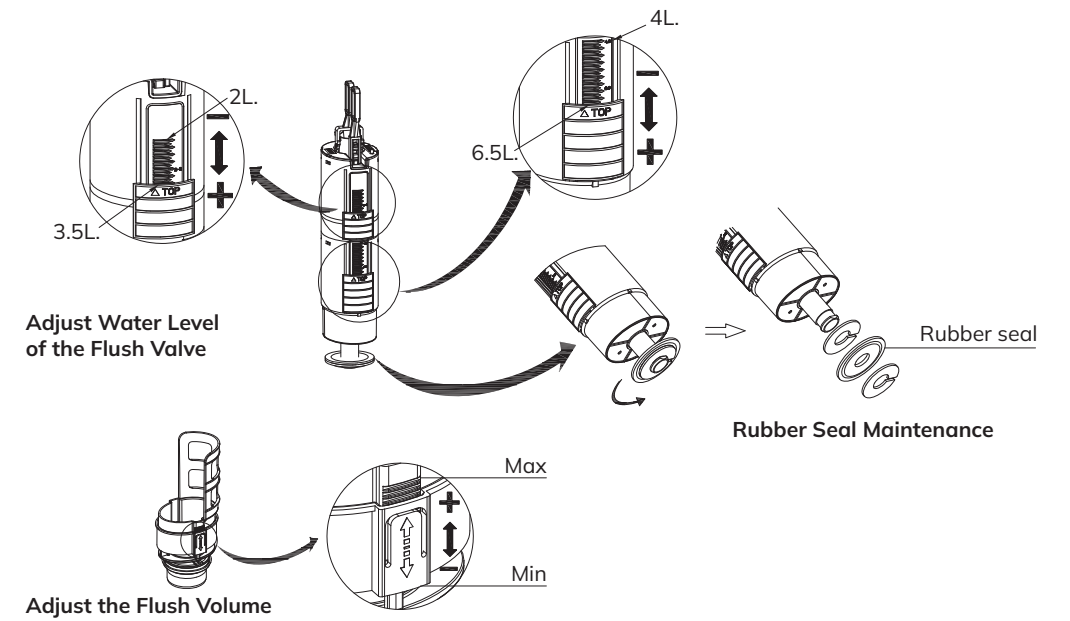
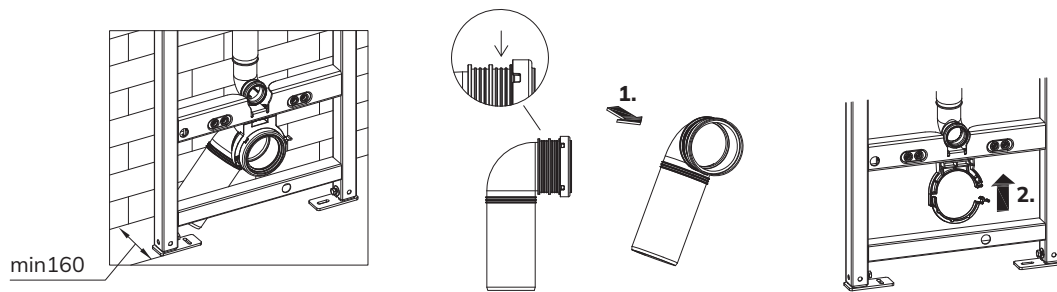


USW0548

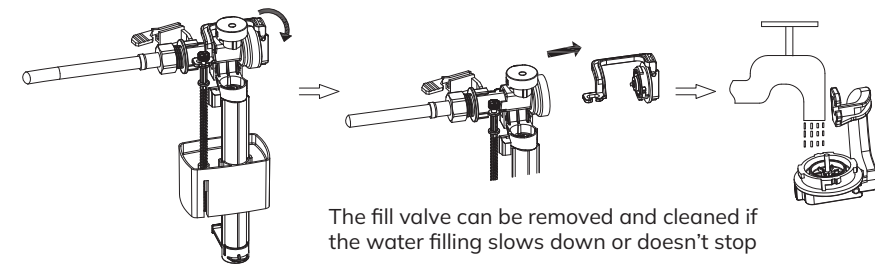
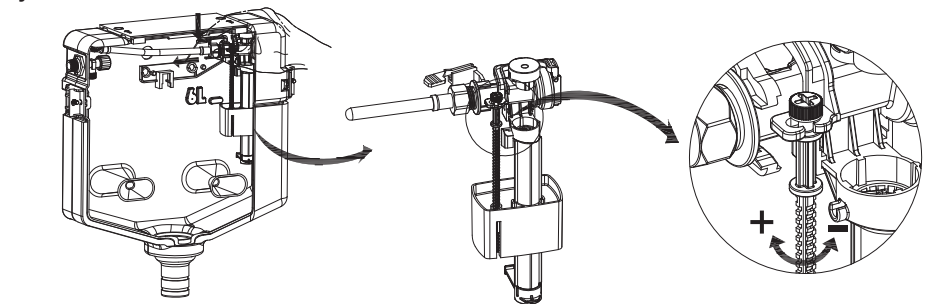
Dimensions (mm)



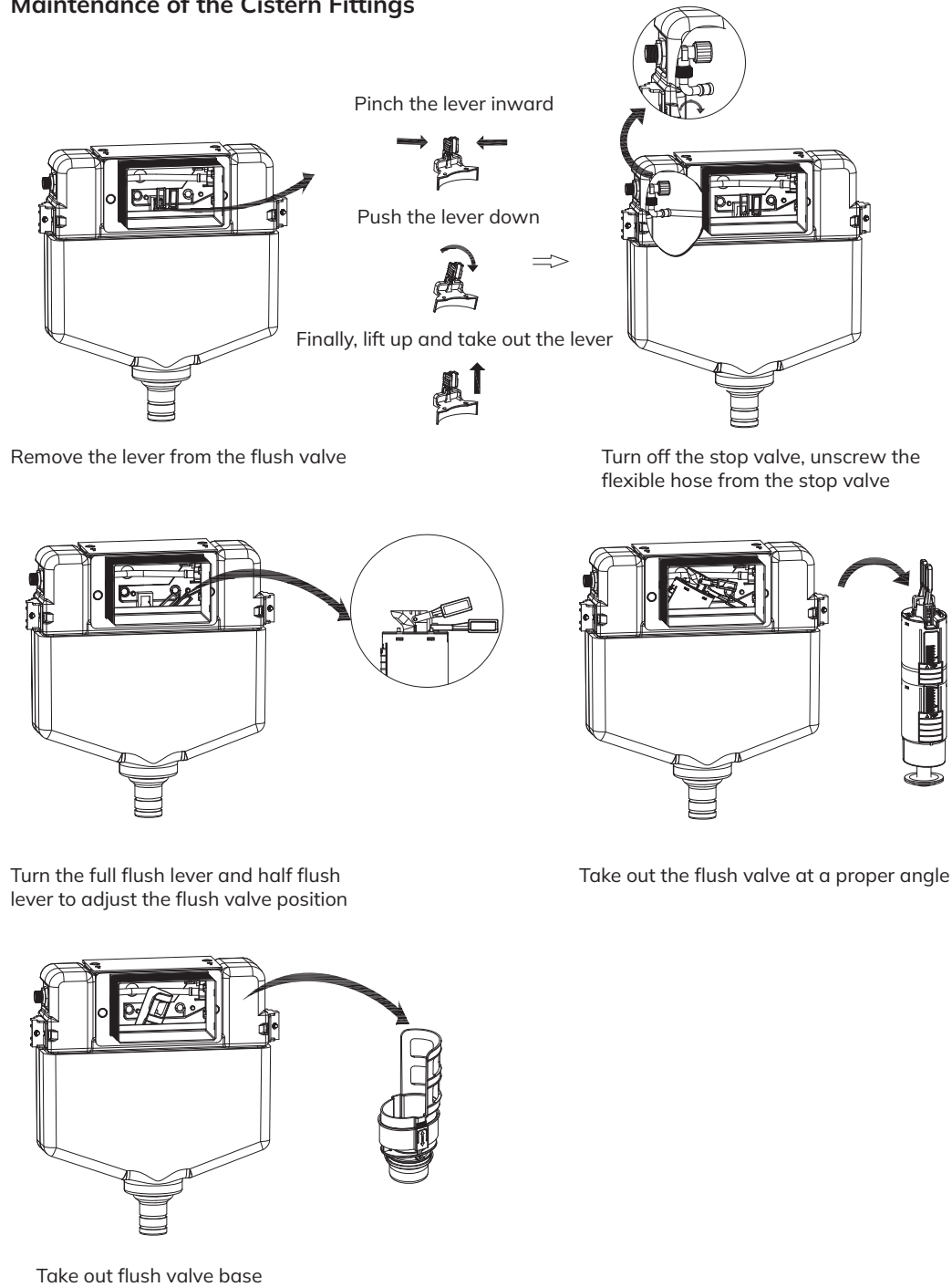
Installation of Waste Pipe



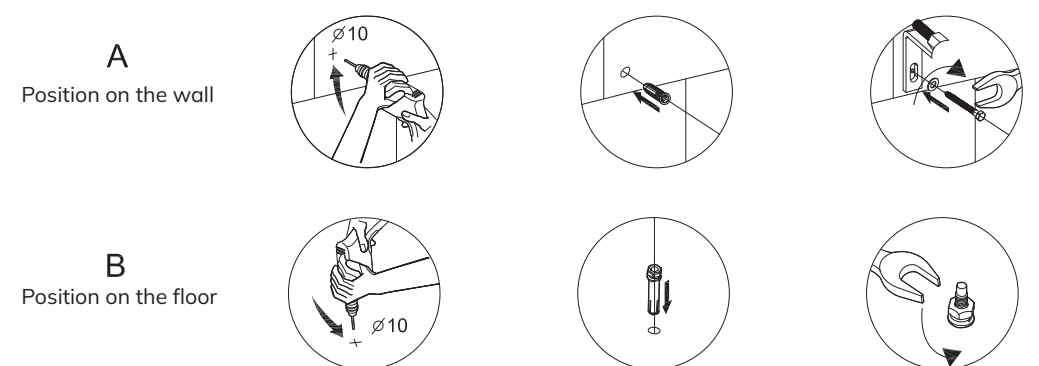
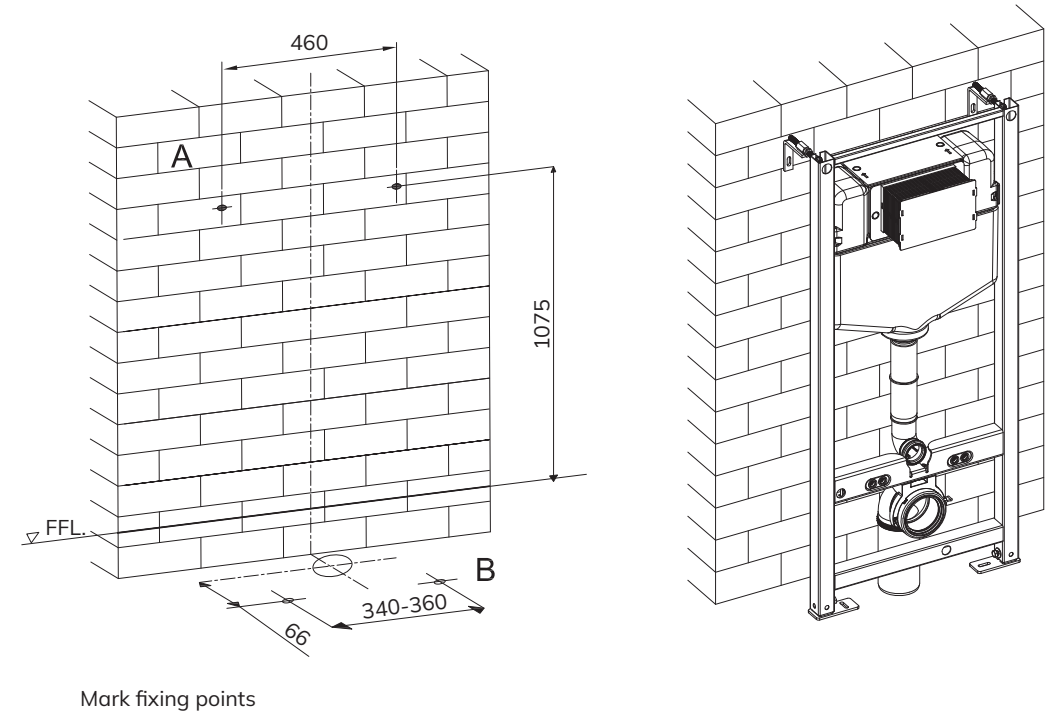
Adjust the Water Level



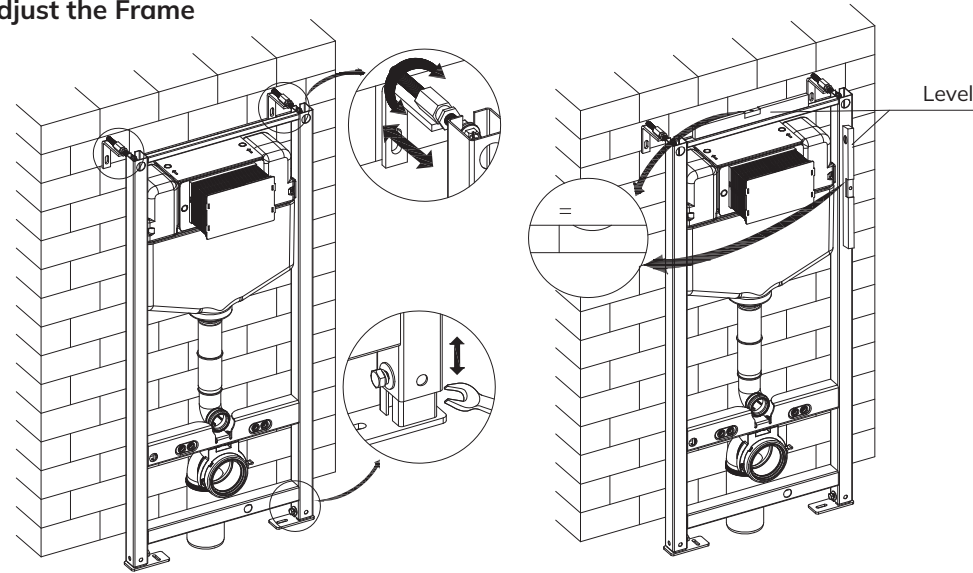
## Maintenance of the Cistern Fittings



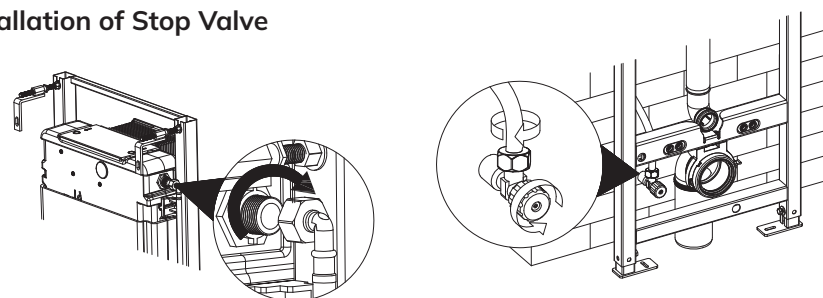
## Installation of Wall-hung Frame



### Adjust the Frame

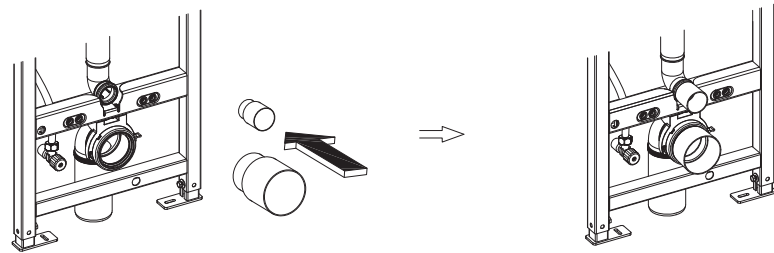


### Installation of Stop Valve

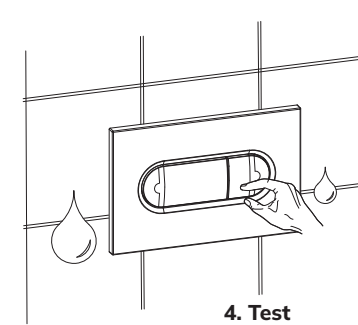
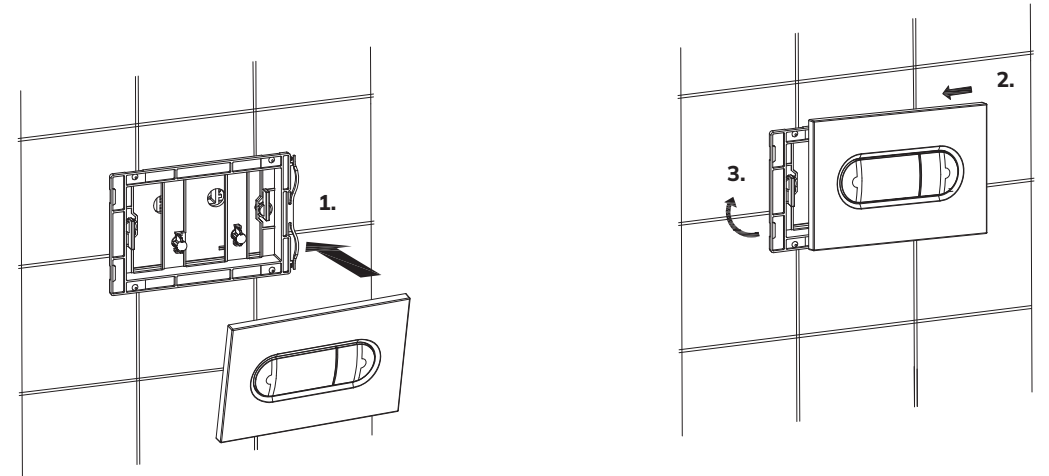


Connect the Flexible Hose to the Stop Valve

### Installation of Bungs

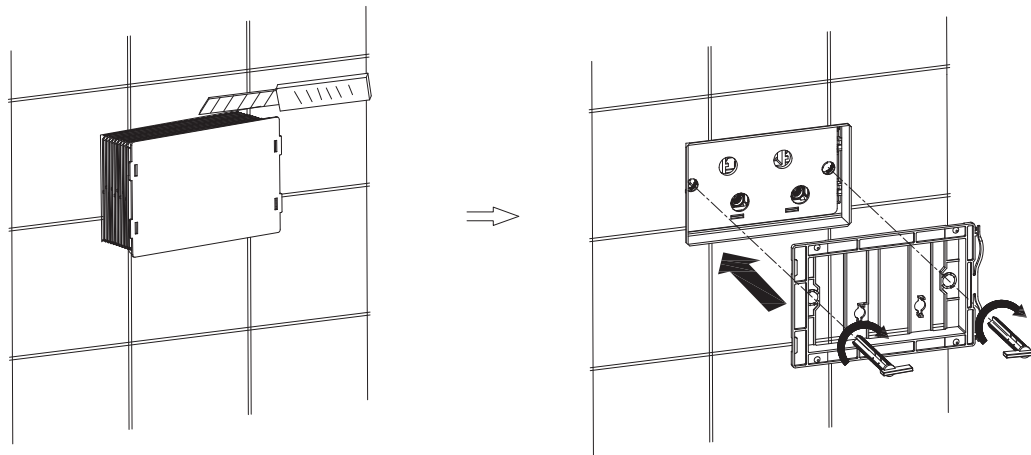


### Installation of Flush Plate



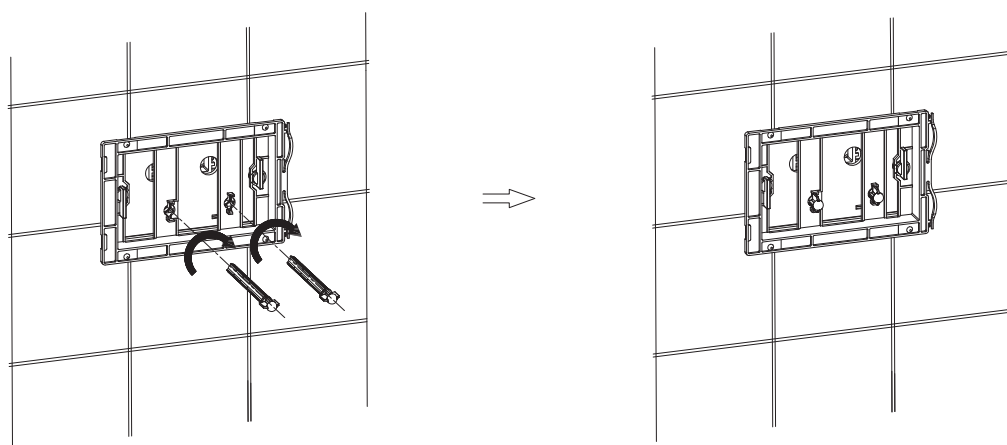
4. Test

## Installation of Flush Plate Base



Using a craft knife, cut the protective casing so that it is flush with the wall

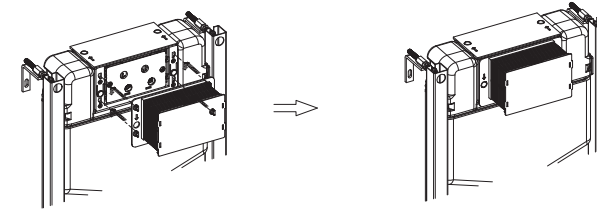
Fix the flush plate mounting bracket



Fix the plastic fixing arms

## Installation of Protective Case

### Front Mounting

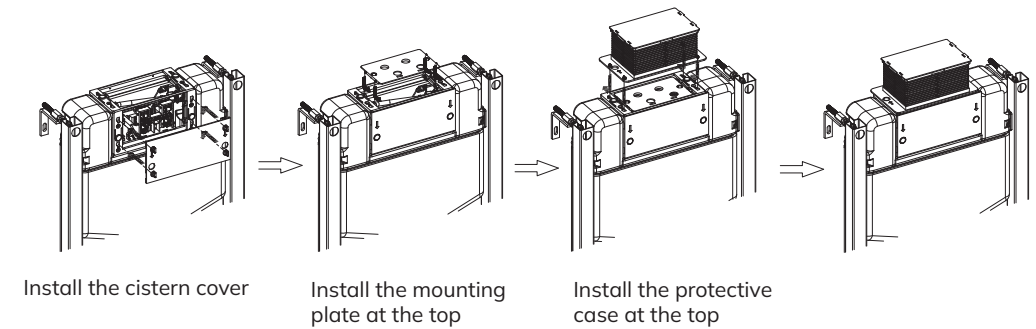
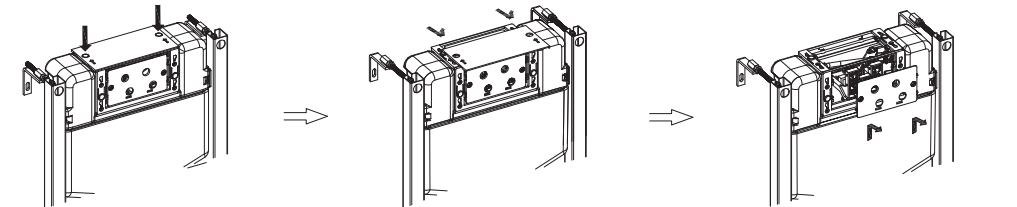


### Top Mounting

Press down on these two cylinders

Remove the cistern cover

Lift up and pull back to remove the mounting plate

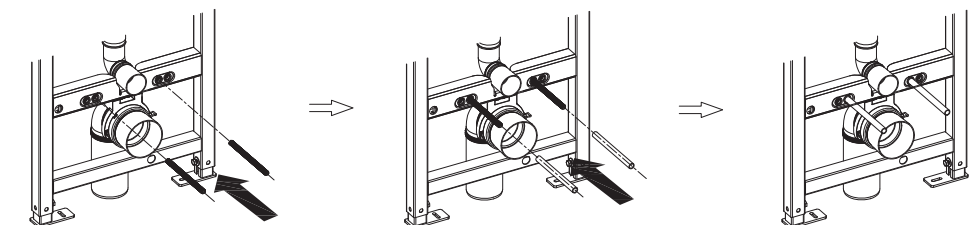


Install the cistern cover

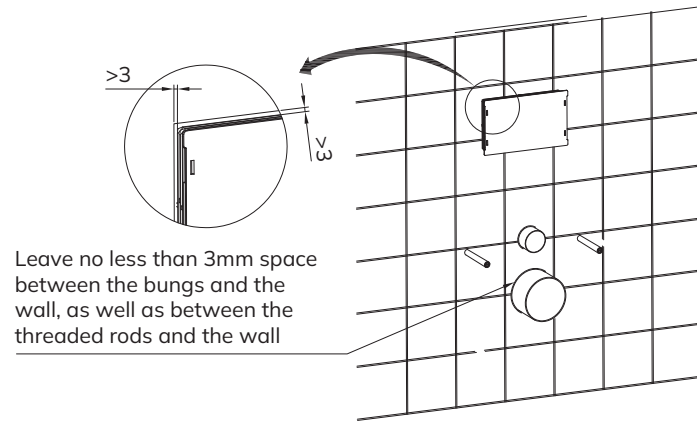
Install the mounting plate at the top

Install the protective case at the top

## Installation of Threaded Rods and Flexible Sheaths

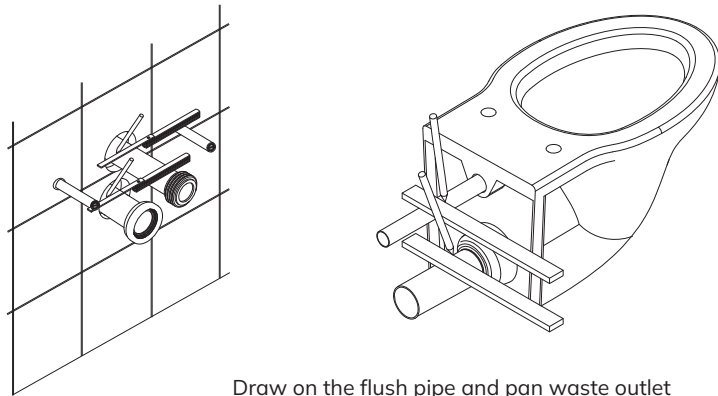


**Build the Partition Wall**

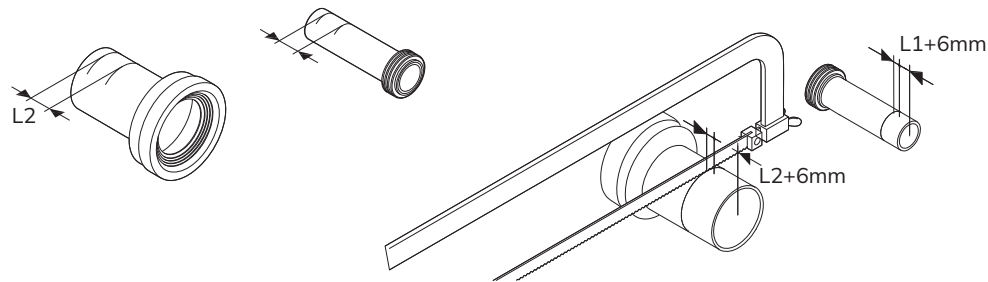


Leave no less than 3mm space between the bungs and the wall, as well as between the threaded rods and the wall

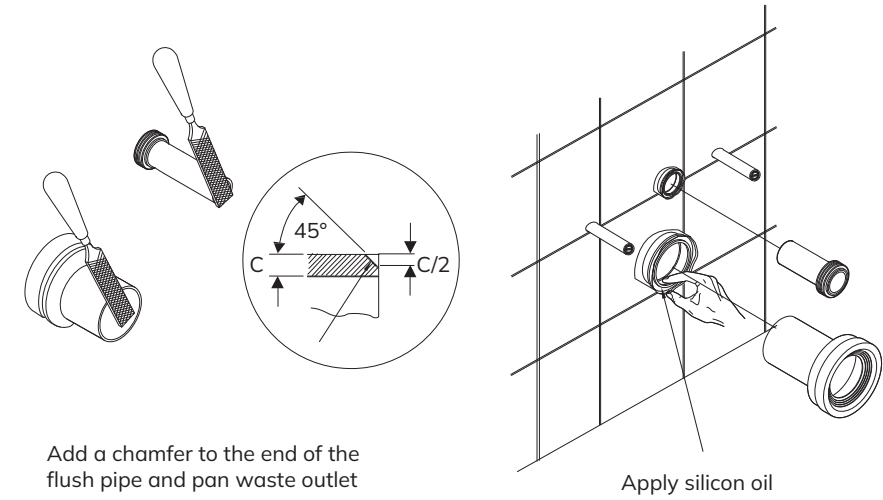
**Installation of Wall-hung Toilet**



Draw on the flush pipe and pan waste outlet



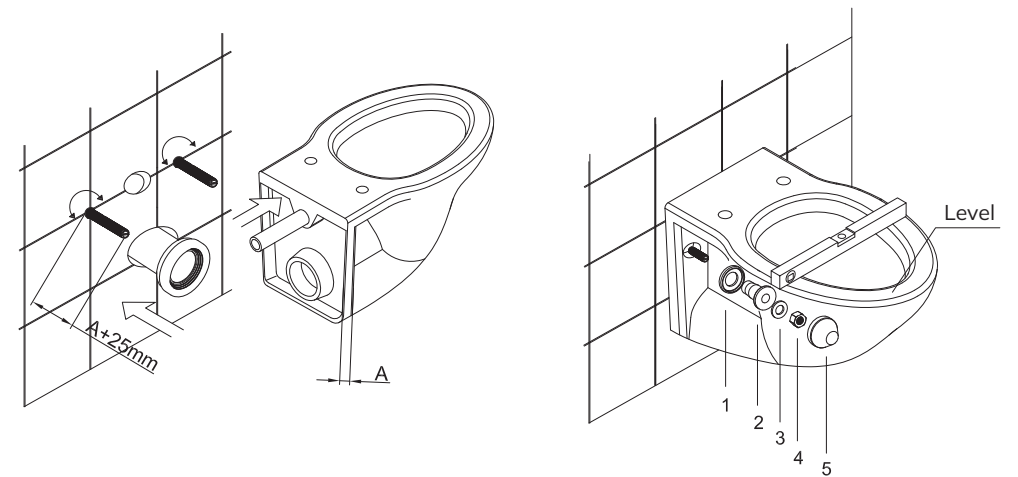
Cut the flush pipe and pan waste outlet



Add a chamfer to the end of the flush pipe and pan waste outlet

Apply silicon oil

**Fixing of the Toilet**



Push the trimmed pipes into position as shown and check that they are secure. Remove the protective flexible sheaths from the threaded rods and adjust the threaded rods.

Position the toilet taking care that the connecting pipes are well aligned to prevent leaks. Use a spirit level to make sure the toilet is level and then fix to the rods with the supplied fixings in the order shown above