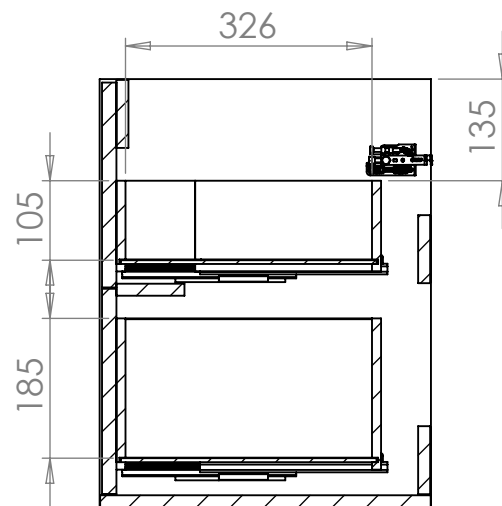
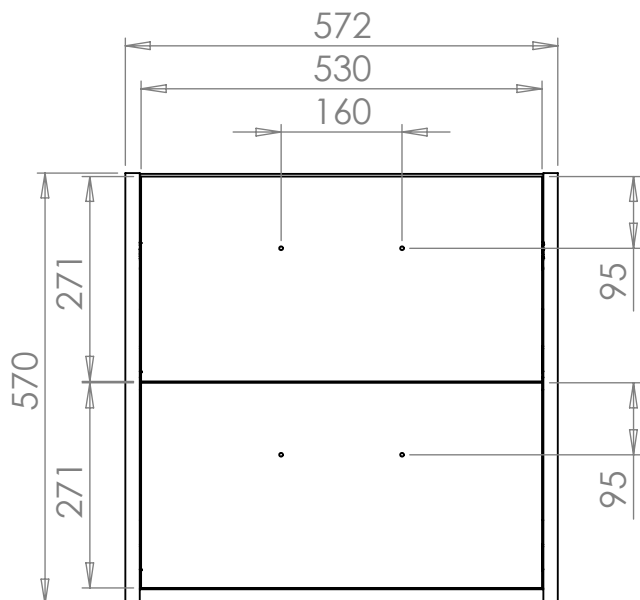
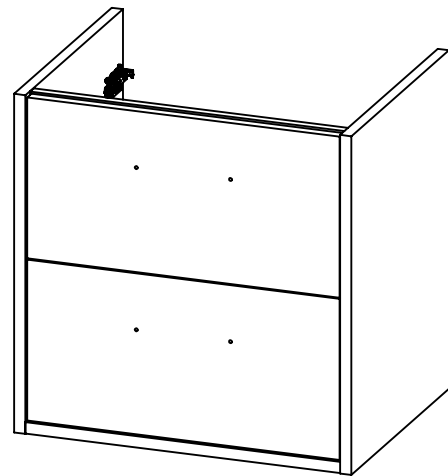
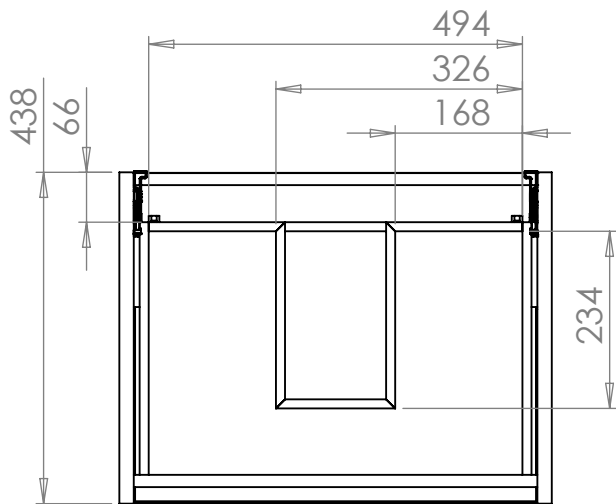


**Veles Wall Hung 45 x 60cm**

N21WH45X60MWH, N21WH45X60SGR, N21WH45X60DBL,  
N21WH45X60LOA

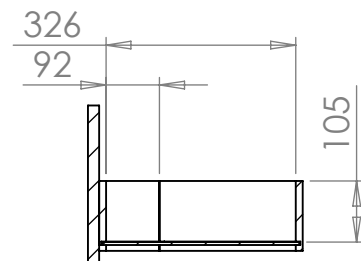
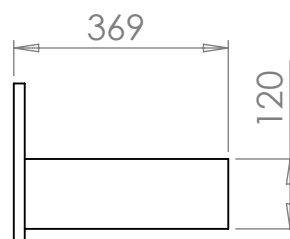
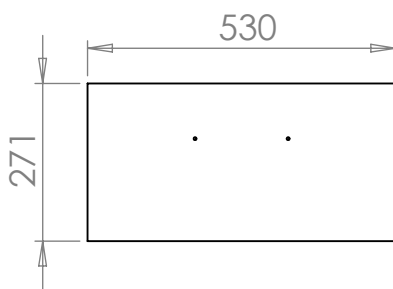
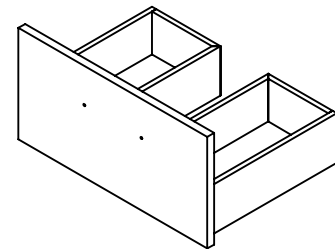
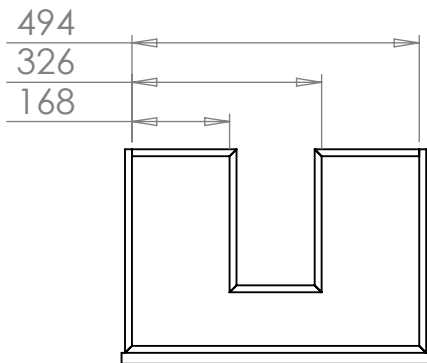


INTERNAL SIDE VIEW

## Veles Wall Hung 45 x 60cm

N21WH45X60MWH, N21WH45X60SGR, N21WH45X60DBL,  
N21WH45X60LOA

### TOP DRAWER



### BOTTOM DRAW

